



# SULTANA

120V PENDANTS

location:  
**DAMP**

## SPECIFICATIONS:

### DESCRIPTION

Rope-hung pendant with Wireform shade.

### LAMPING

**Standard:** 60W T10 Medium-based 120V, suitable for dimming, not included.

**Edison:** 40W Edison Filament Medium-based, 120V, lamp included.

**LED Edison:** 6W Replaceable S-Style LED Edison lamp, 120V, dimmable, 2200°K CCT, 540 lumens, 15,000 hours, lamp included.

### DIFFUSER

Shade shall be made of woven metal rods in Black finish.

**Cylinder (C):** 7.9" L x 15.2" H x 10.5" D

**Flare (F):** 10.8" L x 17.8" H x 11.8" D

**Globe (G):** 10.3" L x 14.1" H x 11.67" D

### SUSPENSION

**Rope-hung:** 6' natural fiber rope with a 2" diameter.

### MOUNTING

Installs directly to a 4" octagonal ceiling box. Suitable for sloped ceilings.

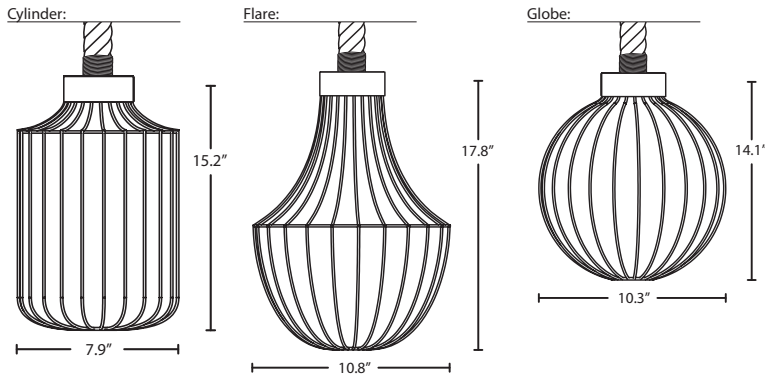
### LABELS

UL or ETL Listed. Suitable for Damp Locations (interior use only).

Consult factory concerning lower wattage labeling for energy requirements.



FLARE (SULTANA-F) & GLOBE (SULTANA-G)



## ORDERING:

CONNECTION	SHADE OPTIONS	LAMP OPTIONS	METAL FINISH
Pendant Fixtures	<b>SULTANA-C</b> Cylinder	(blank) 40W T10 Incan	<b>BK</b> Black
<b>1JT</b> Flat Canopy	<b>SULTANA-F</b> Flare	<b>EDI</b> 40W Edison	
	<b>SULTANA-G</b> Globe	<b>EDIL</b> 6W LED Edison	

**Ex. 1JT-SULTANA-C-BK**  
Sultana Cylinder Pendant,  
Black Finish



Project Information:

All dimensions provided are nominal.  
Allowance must be made for dimensional tolerance in handcrafted glasses.

REV 3/16