

SPECIFICATIONS:

DESCRIPTION

Outdoor post-mount or wall mount lantern features handcrafted European glass.

LAMPING

Standard: 75W A19 120V, *lamps not included.*

CFL: 18W CFL 120V, *lamps not included.*

GU24 CFL: Self-ballasted GU24 lampholders. 18W max, 120V, *lamps not included.*

DIFFUSER

Glass diffuser is hand-painted in various decors with Opal Glossy glass. The Black and Bronze finishes are opaque, while the White is semi-translucent for increased light output. Dimensions are 8.75" Dia. x 8.5" H.

CONSTRUCTION

Post fitter or wall bracket cast aluminum with powder coated finish.

MOUNTING

Post fitter is suitable for installation onto a 3" post (*not included*).

Wall bracket installs directly to a 4" octagonal outlet box, centered on fixture. 75°C supply wire required for incandescent lamping.

LABELS

UL or ETL Listed. Suitable for Wet Locations.

May be used in Interior or Exterior applications.



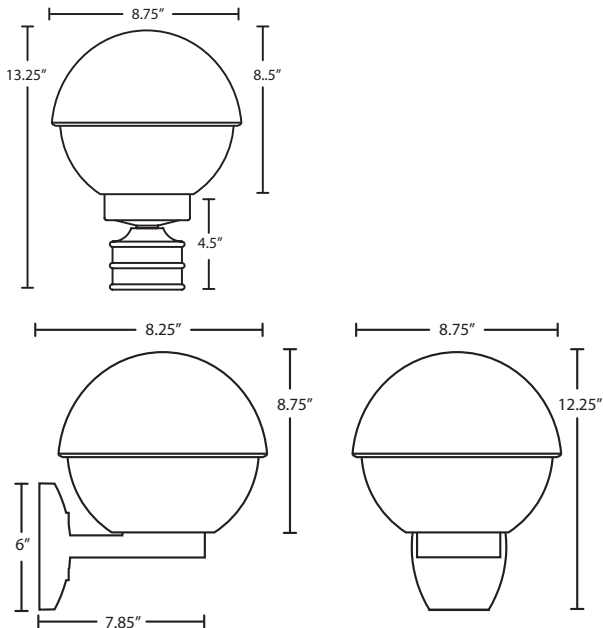
307899-POST
Bronze with Post Fitter



307807-WALL
White with Wall Bracket



307855
Black



Project Information:

ORDERING:

3 | 0 | 7 | 8 | | | - | | | | | - | | | | |

	DECOR	LAMPING	MOUNTING
07	White/Opal	(Blank) 1x 75W A19 (Incan)	POST Post Fitter
55	Black/Opal	F1 1x 18W CFL	WALL Wall Mount Bracket
99	Bronze/Opal	GU24 1x GU24, 18W max	

All dimensions provided are nominal. Allowance must be made for dimensional tolerance in handcrafted glasses.